

One-hand operable Cable Tensioner

Part of the DePuy Synthes Cable System
for Orthopaedic Trauma

Surgical Technique

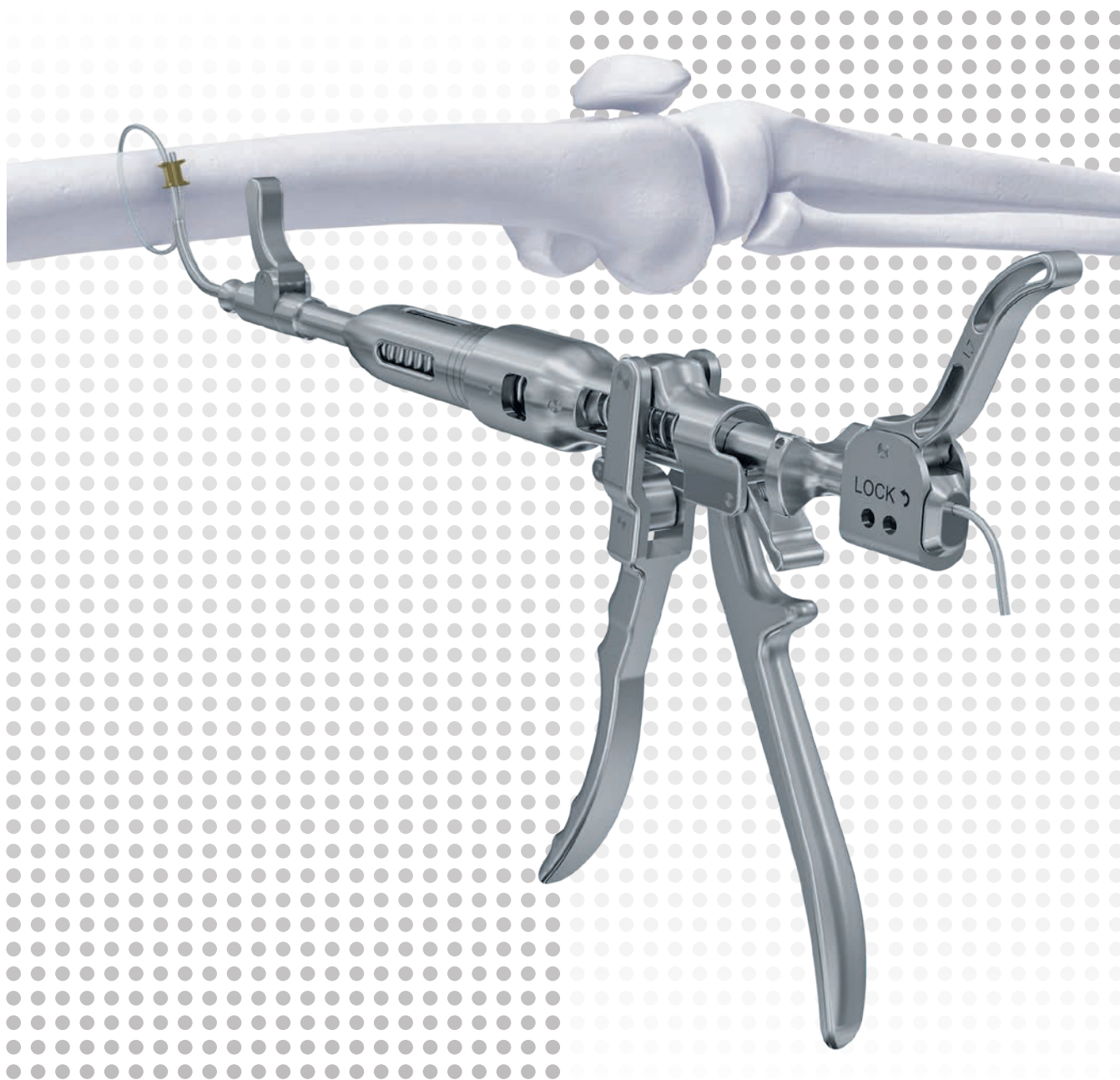


 Image intensifier control

This description alone does not provide sufficient background for direct use of DePuy Synthes products. Instruction by a surgeon experienced in handling these products is highly recommended.

Processing, Reprocessing, Care and Maintenance

For general guidelines, function control and dismantling of multi-part instruments, as well as processing guidelines for implants, please contact your local sales representative or refer to:

<http://emea.depuysynthes.com/hcp/reprocessing-care-maintenance>

For general information about reprocessing, care and maintenance of DePuy Synthes reusable devices, instrument trays and cases, as well as processing of DePuy Synthes non-sterile implants, please consult the Important Information leaflet (SE_023827) or refer to:

<http://emea.depuysynthes.com/hcp/reprocessing-care-maintenance>

Table of Contents

Introduction	One-hand operable Cable Tensioner	2
---------------------	-----------------------------------	---

Surgical Technique	Preparation	4
	Insert cable into Cable Tensioner	4
	Tighten cable	5
	Temporarily fix cable	5
	Remove Cable Tensioner	6

Product Information	Instruments	7
	Cases	7

Care and Maintenance	Lubrication	8
-----------------------------	-------------	---

■ Notes

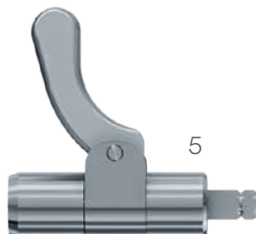
▲ Precautions

▲ WARNINGS

One-hand operable Cable Tensioner



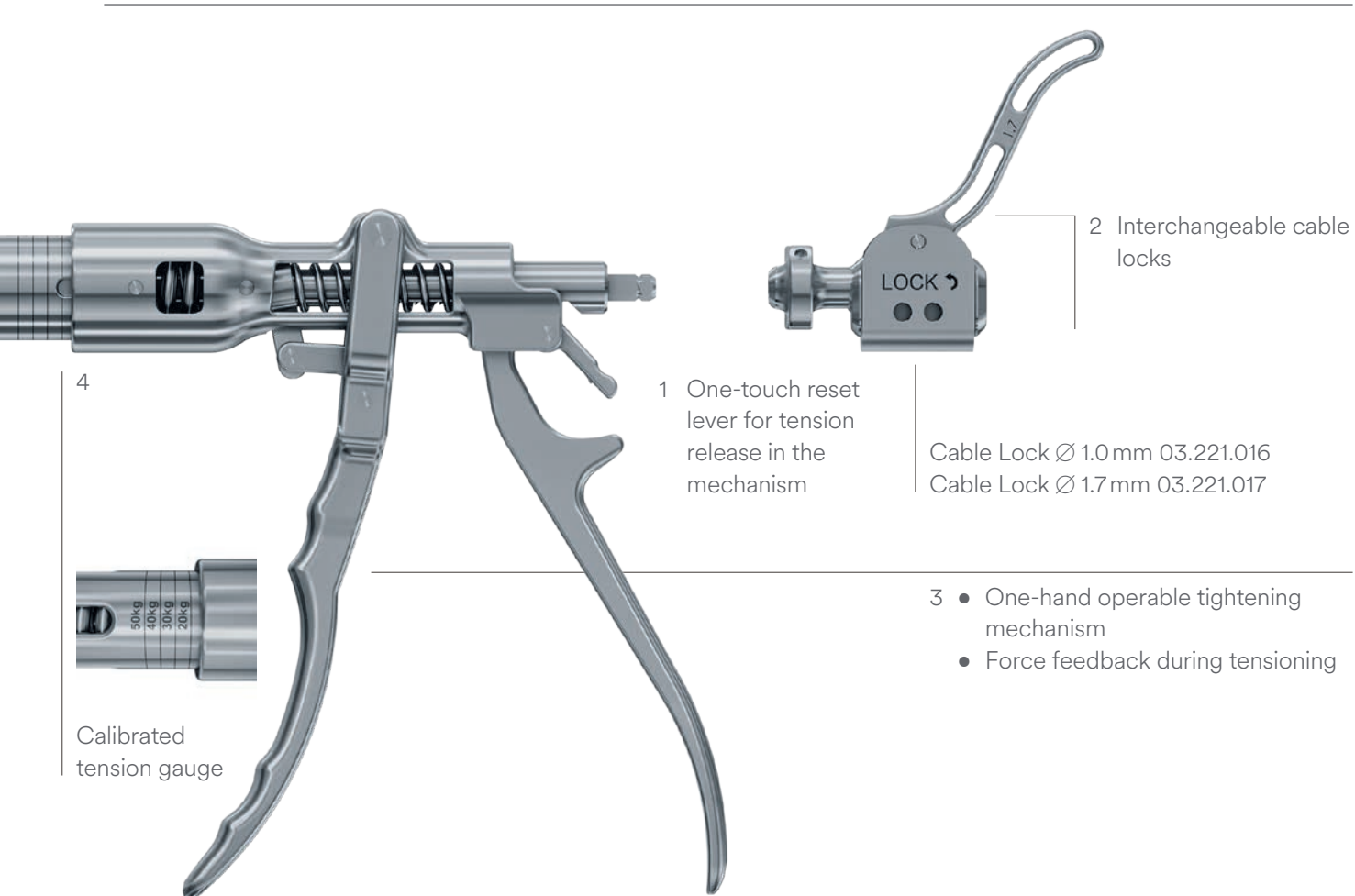
Attachment Bit
for Tension Holder
391.883



Tension Holder,
for temporary use
391.884



Cable Tensioner,
one-hand operable
03.221.015



4



Calibrated tension gauge

1 One-touch reset lever for tension release in the mechanism

2 Interchangeable cable locks

Cable Lock Ø 1.0 mm 03.221.016
Cable Lock Ø 1.7 mm 03.221.017

3 • One-hand operable tightening mechanism
• Force feedback during tensioning

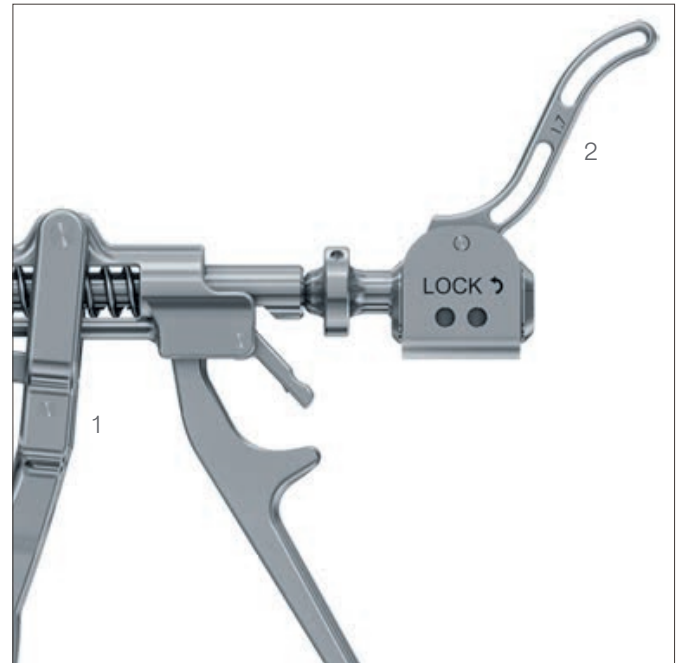
Surgical Technique

■ Note:

The following surgical technique describes the surgical steps for the one hand operable Cable Tensioner. For all other steps, the surgical technique for the Cable System applies.

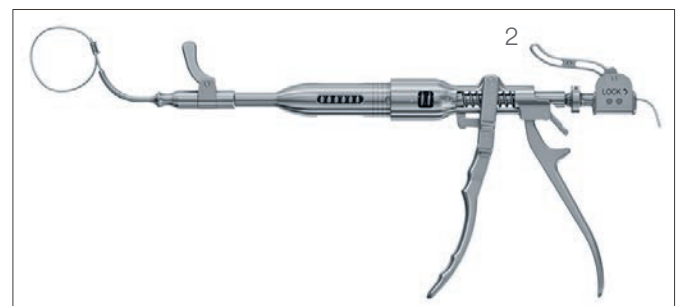
Preparation

- Assemble the attachment bit, tension holder, Cable Tensioner and the correct size cable lock.
- Make sure the cable lock is completely attached to the Cable Tensioner. A click should be heard when assembling the two parts.
- Push the reset lever 1 of the Cable Tensioner and make sure that the cable lock is open 2.



Insert cable into Cable Tensioner

- Slightly tighten the cable by hand until it embraces the bone.
- Insert the cable into the Cable Tensioner.
- Advance the Cable Tensioner along the cable until the attachment bit rests against the cable crimp.
- Hold the cable in place by pushing the lever of the cable lock in the "LOCK" direction 2.
- Confirm the placement of the crimp on the bone.



Tighten cable

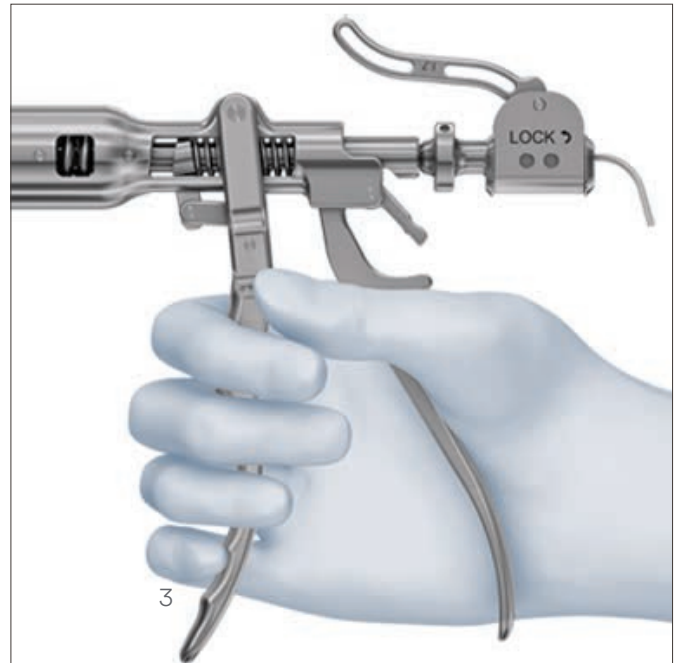
- Squeeze the handle on the Cable Tensioner until the desired tension is reached 3.

▲ Precaution:

The tension of the cable should not exceed 40 kg for the cable \varnothing 1.0 mm and 50 kg for the cable \varnothing 1.7 mm. High tension may cause the cable to tear out of the crimp or cut through soft or osteoporotic bone.

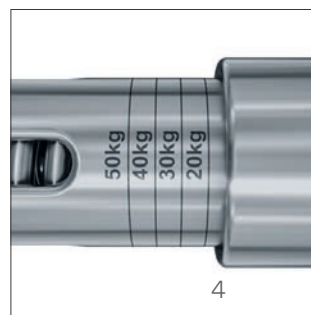
▲ WARNING:

Repeated tensioning of cables at high loads may cause fraying of the cable.



■ Note:

The amount of tension applied to the cable can be read off the tension calibration on the body of the Cable Tensioner (20–50 kg) 4.



Temporarily fix cable

- The tension holder may be used for temporary fixation of the cable while additional cables are placed.
 - The Cable Tensioner can be removed before crimping without losing tension of the cable.
 - To lock the cable, pull back the lever of the tension holder 5.
- Each cable can then be incrementally tensioned before crimping.

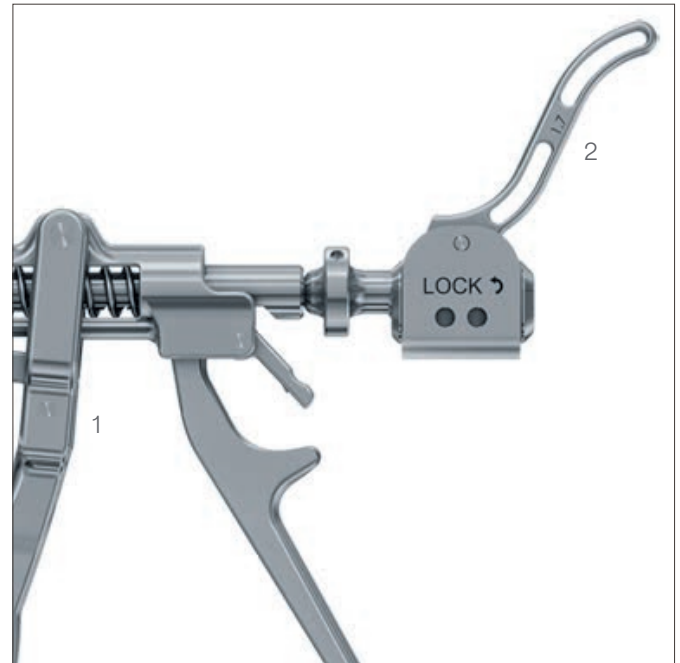


Remove Cable Tensioner

- Unlock the cable lock 2.
- Reset the Cable Tensioner by pushing the reset lever 1.
Remove the cable tensioner assembly.

Secure cable with crimp

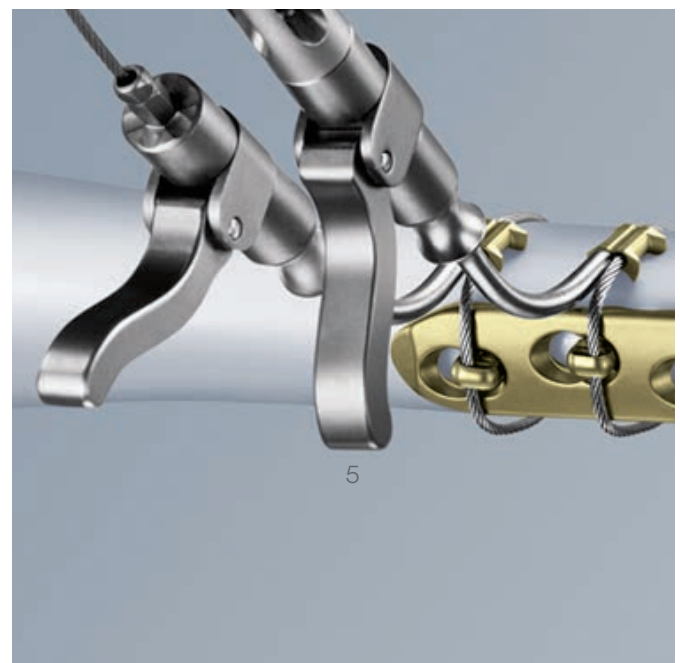
When the desired cable tension is reached, use the cable crimper to secure the cable with the crimp.



Remove tension holder

- Release the lever of the tension holder 5.
- Remove the tension holder and attachment bit.

Proceed with the surgery according to the technique described in the surgical technique for the Cable System.



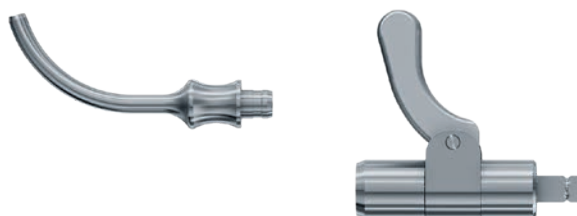
Product Information

Instruments

03.221.015	Cable Tensioner, one-hand operable
03.221.016	Cable Lock Ø 1.0 mm, for Cable Tensioner, one-hand operable
03.221.017	Cable Lock Ø 1.7 mm, for Cable Tensioner, one-hand operable

Additional Instruments (from existing cable system)

391.883	Attachment Bit for Tension Holder
391.884	Tension Holder, for temporary use

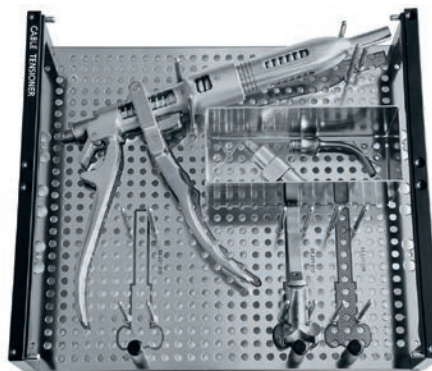


Cases

68.221.003	Modular Tray, for Cable Tensioner, one-hand operable, size ½, without Contents, Vario Case System
684.060	Lid for Modular Tray, size ½

Standard Vario Case Frame and Lid size ½

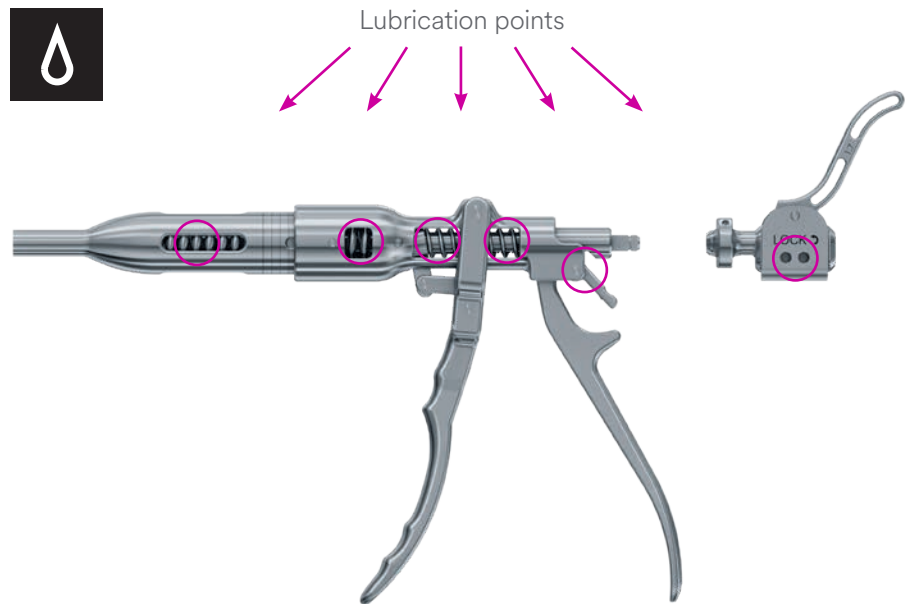
689.514	Vario Case, Framing, size ½, height 67 mm
689.537	Lid (Stainless Steel), size ½, for Vario Case



Care and Maintenance

Lubrication

Always lubricate all springs, ratchets and levers with Synthes Oil (e.g. 519.970) after cleaning.



Not all products are currently available in all markets.
This publication is not intended for distribution in the USA.
Intended use, Indications and Contraindications can be found in the corresponding system Instructions for Use.
All Surgical Techniques are available as PDF files at www.depuysynthes.com/ifu



Synthes GmbH
Eimattstrasse 3
4436 Oberdorf
Switzerland
Tel: +41 61 965 61 11

www.depuysynthes.com